

Instructions: Seat Back Gun Case

⚠ WARNING:

TAKE CARE WHEN TRANSPORTING ANY FIREARM.

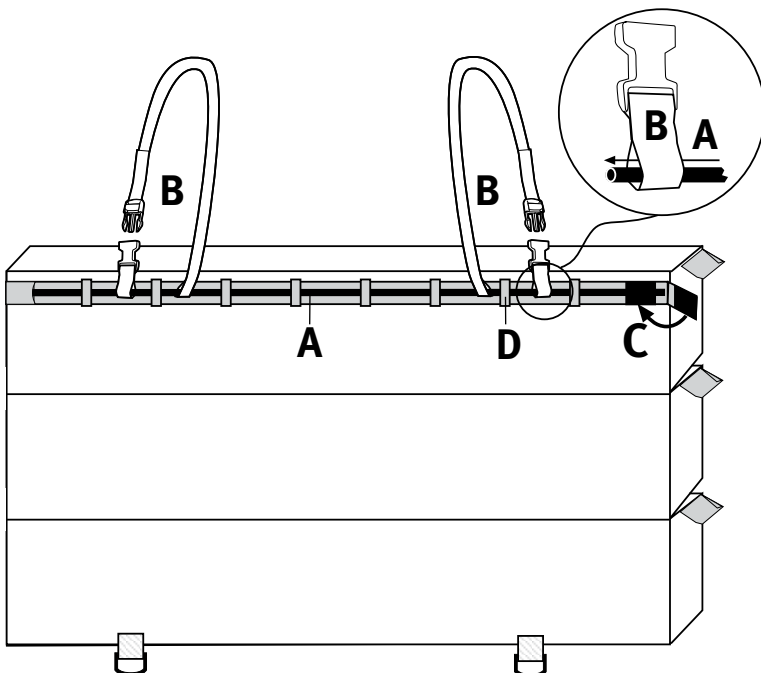
- NEVER transport a loaded firearm
- NEVER transport firearms within the reach of children

Materials list:

- 1 Seat Back Gun Case
- 1 metal support rod (two-piece)
- 2 short loop end seat attachment straps
- 2 long loop end seat attachment straps
- 2 elastic hooked cords

Installation

1. Lay your Seat Back Gun Case down on a flat surface with the zippered side down.
2. Connect the two-piece support rod (A) by pushing the two pieces together.
3. Locate the four webbing straps (B). Lay the looped ends of the straps down on the back of your gun case as shown.
4. Lift the inside end of the hinged hook and loop flap (C) up. Thread the metal support rod from right to left under the loop tab then through BOTH the gun case rod support loops (D) and the webbing



strap loops (B) until the end of the rod rests in the webbing pocket at the left end of the Case. Close the hook tab down over the right end of the rod to secure it in place.

5. If your seat has a removable headrest lift the headrest a couple inches.

Hold your gun case against your seat back with the pockets facing out and the webbing straps at the top. Loop the webbing straps around the headrest posts or seat top and clip the side-release buckles together.

If your gun case doesn't hang right you can move the webbing straps to different positions on the gun case.

6. Reposition any headrests. Adjust the length of the webbing straps around the headrests as needed.

7. CAREFULLY attach the hooked elastic cords to the D-rings on the bottom of each pocket section to the underside of your seat. Take care—if the hook does not catch the cord can release and cause injury.

8. Insert your rifles or shotguns into the zippered pockets. Do not put more than one gun into one pocket.

Cleaning

Machine wash in COLD water. DO NOT USE SOAP as it may remove the protective coatings added by the factory. Line dry or machine dry on air or delicate.

One Year Warranty

This product is factory warranted for workmanship and materials for one year after purchase. This warranty does not cover firearms carried in the gun case.



Classic Accessories, Inc.
Kent, WA, USA 98032
www.classicaccessories.com
©2007